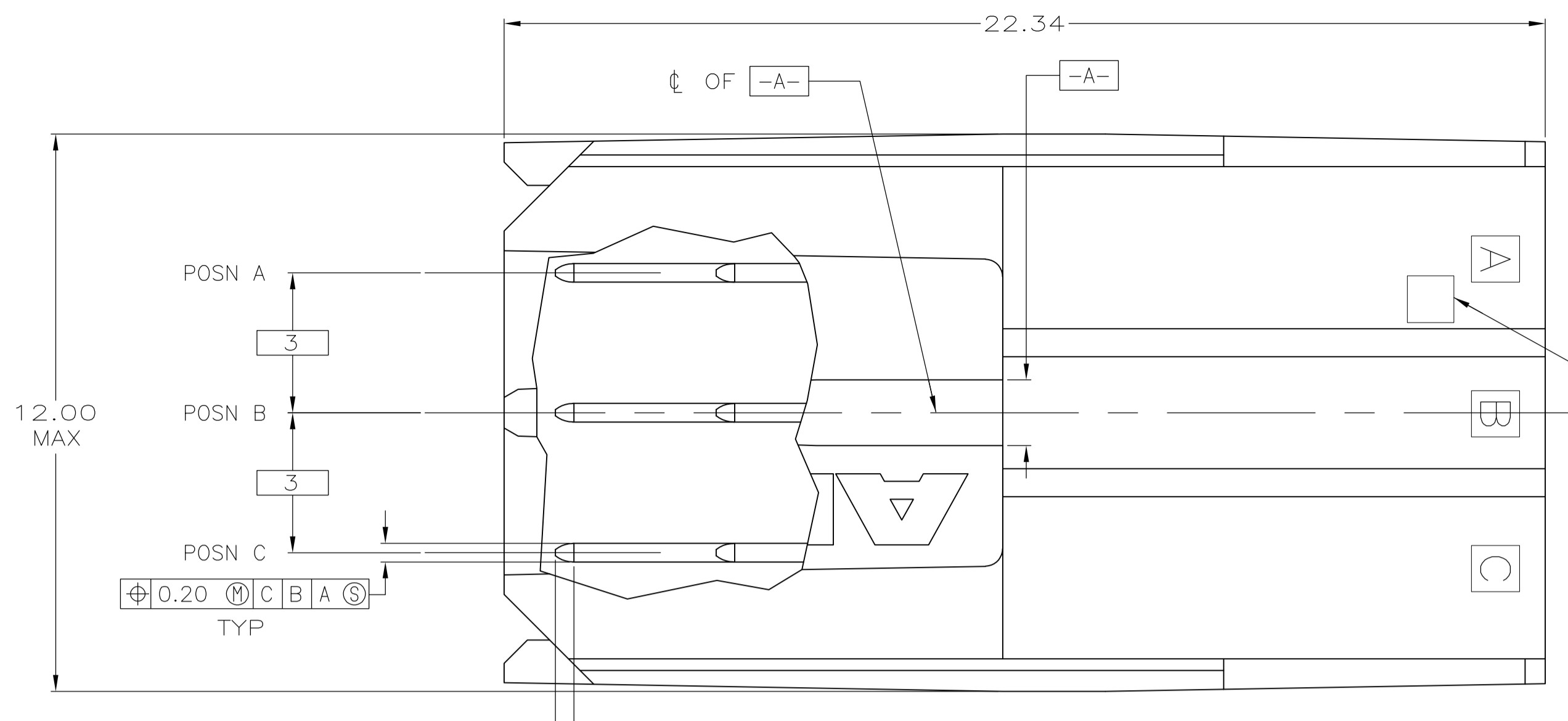
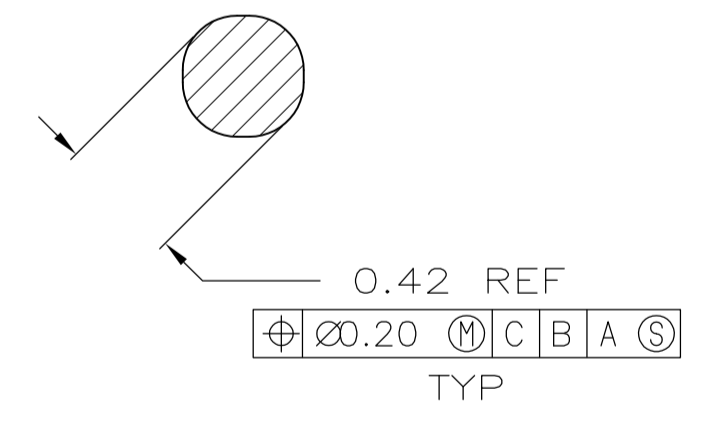
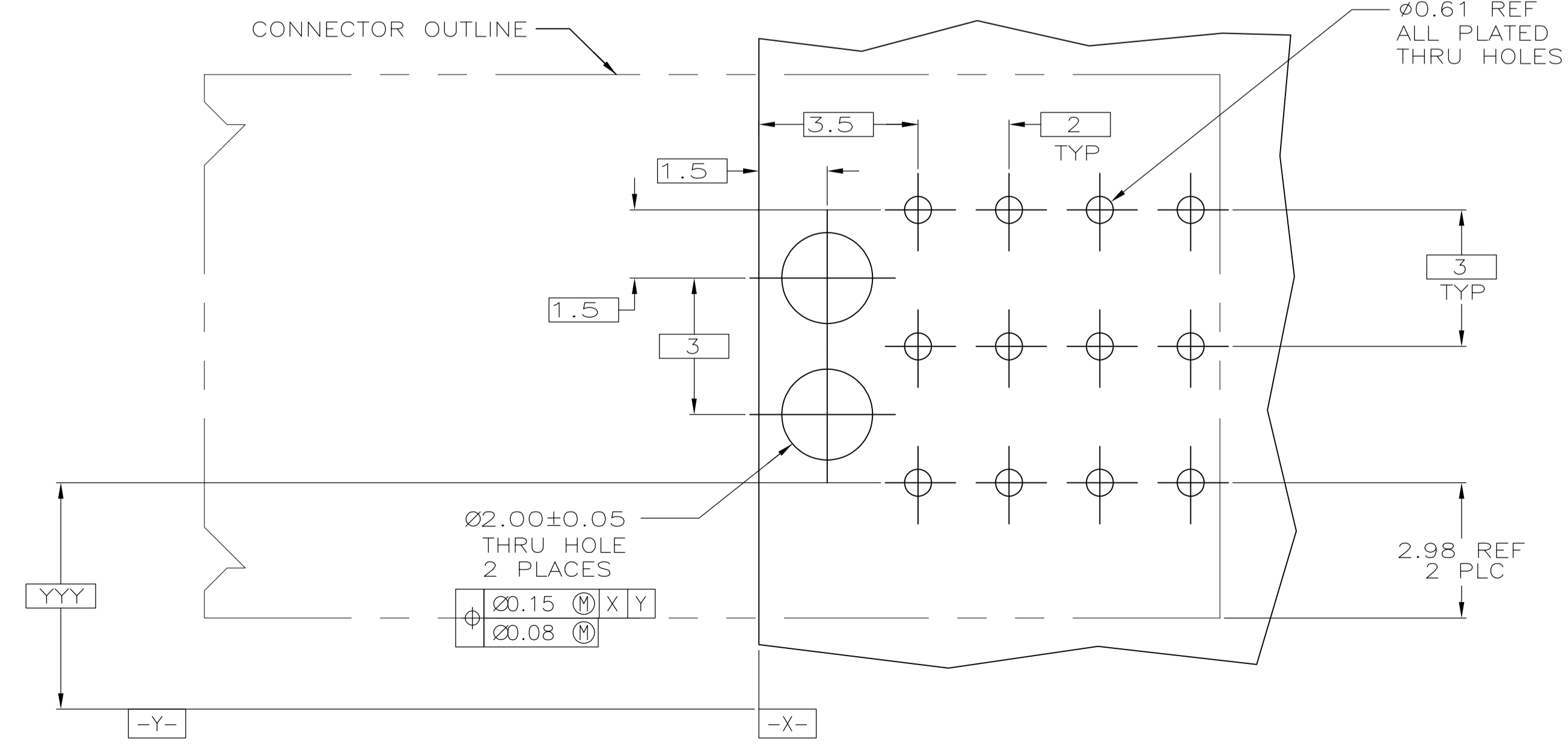
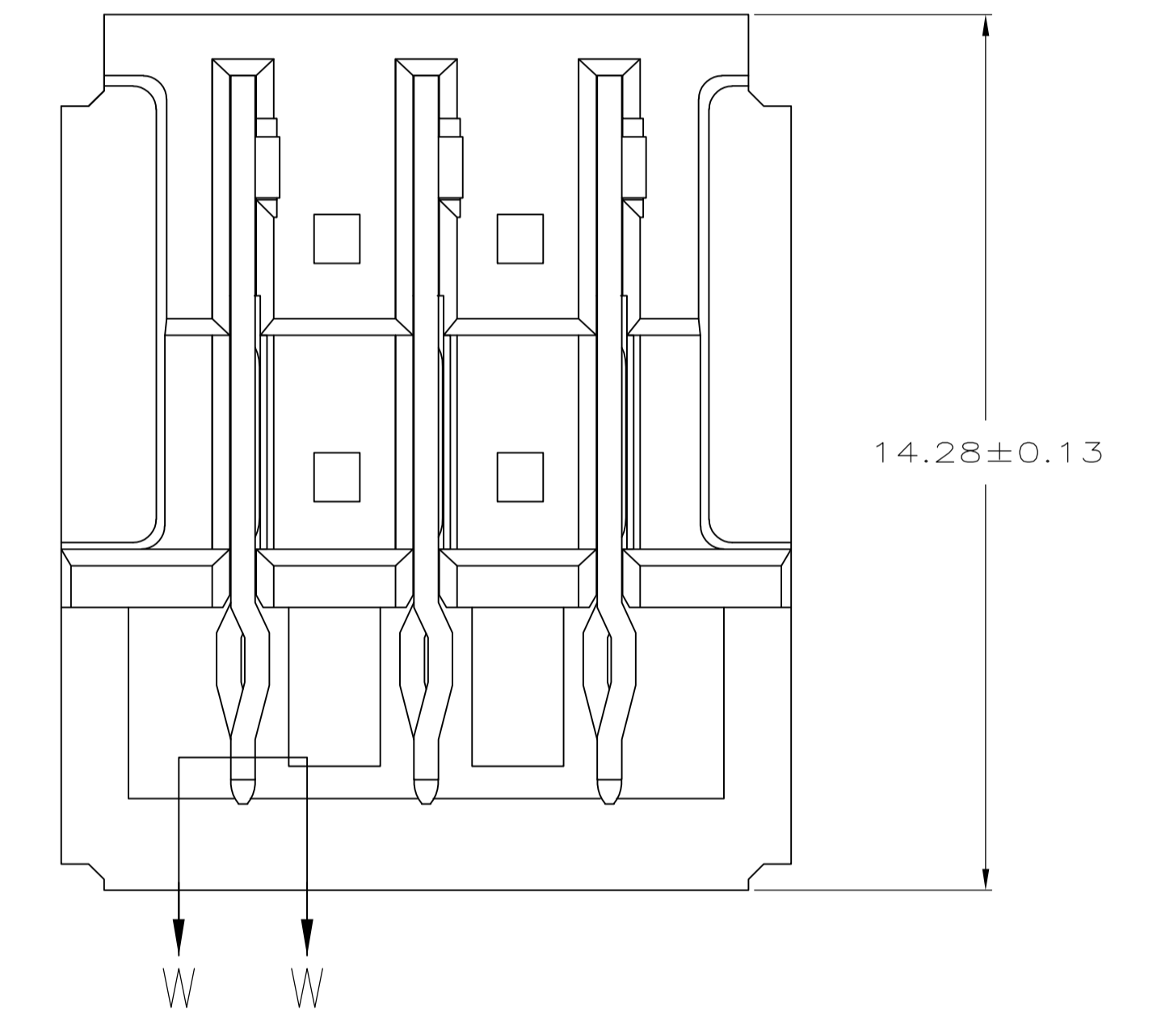
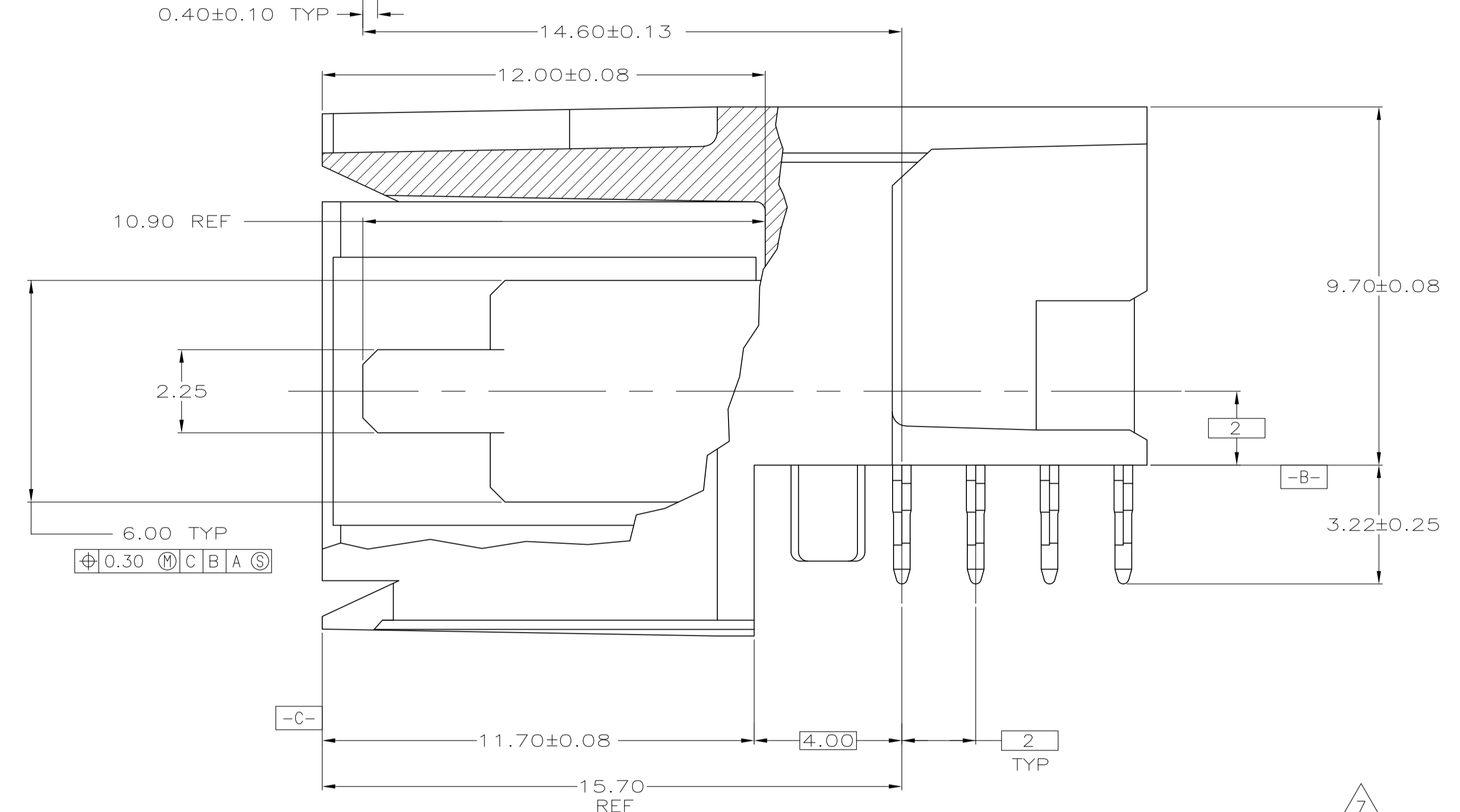
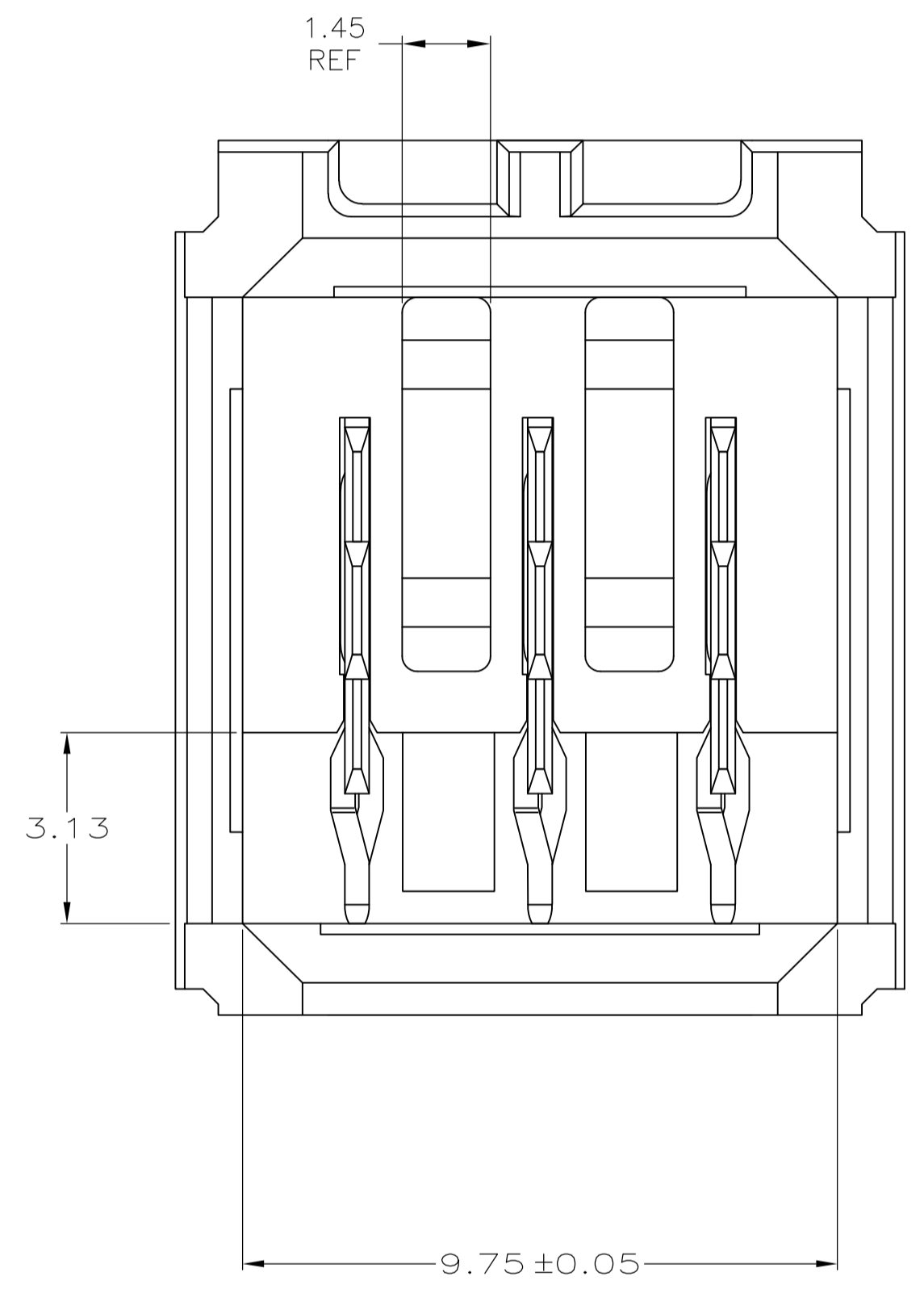


REVISONS		DATE	DWN	APVD
REV	DESCRIPTION			
C	REVISED PER ECO-11-015883	10OCT11	KH	DY



- 1 MATERIAL: HOUSING: POLYESTER. COLOR: GRAY. 94V-0 CONTACT: PHOSPHOR BRONZE.
- 2 FINISH: CONTACT MATING AREA: 1.27µm MIN GOLD OR 0.08µm MIN GOLD OVER 0.76µm MIN PALLADIUM-NICKEL ACTION PIN AREA: 0.5µm MIN TIN PLATE, ALL OVER 1.27µm MIN NICKEL UNDERPLATE.
- 3 FINISH: CONTACT LUBRICATION WITH BELLCORE APPROVED LUBRICANT, TECHNICAL REFERENCE: TR-NWT-001217, ISSUE 1, SEPTEMBER 1992.
- 4 MATERIAL: HOUSING: LCP; COLOR: RED. 94V-0 CONTACT: PHOSPHOR BRONZE.
- 5 NUMBER "3" MARKED IN THIS AREA.
- 6 MATERIAL: HOUSING: POLYESTER. COLOR: GRAY. 94V-0 CONTACT: HIGH CURRENT COPPER ALLOY.
- 7 REFERENCE APPLICATION SPEC 114-1103 FOR RECOMMENDED PLATED THRU HOLE DIAMETER AND PLATING THICKNESS.
- 8 CURRENT RATING 10A/CONTACT FOR PHOS BRONZE CONTACTS AND 16A/CONTACT FOR HIGH CURRENT COPPER ALLOY CONTACTS PER PRODUCT SPEC 108-1651.



SECTION W-W  
SCALE 40:1

2 3 6	5-5223961-1
1 2 3 5	5223961-8
1 2 3	5223961-1
MATERIAL/FINISH	PART NUMBER

THIS DRAWING IS A CONTROLLED DOCUMENT.

DIMENSIONS: mm	TOLERANCES UNLESS OTHERWISE SPECIFIED:	DIN B CARDO 10DEC04	10DEC04
0 PLC ± -	1 PLC ± -	2 PLC ± 0.13	3 PLC ± -
4 PLC ± -	ANGLES ± -		

MATERIAL	FINISH	WEIGHT	SIZE	CAGE CODE	DRAWING NO	RESTRICTED TO
SEE TABLE	SEE TABLE		A1	00779	5223961	

CUSTOMER DRAWING SCALE 10:1 SHEET 1 OF 1 REV C

RECOMMENDED PCB HOLE LAYOUT